

Stenos Modules - Installation Instructions

Models SMD, SMA



7777 Merrimac Ave
Niles, IL 60714
T 224.333.6033
F 224.757.7557
info@luminii.com
www.luminii.com

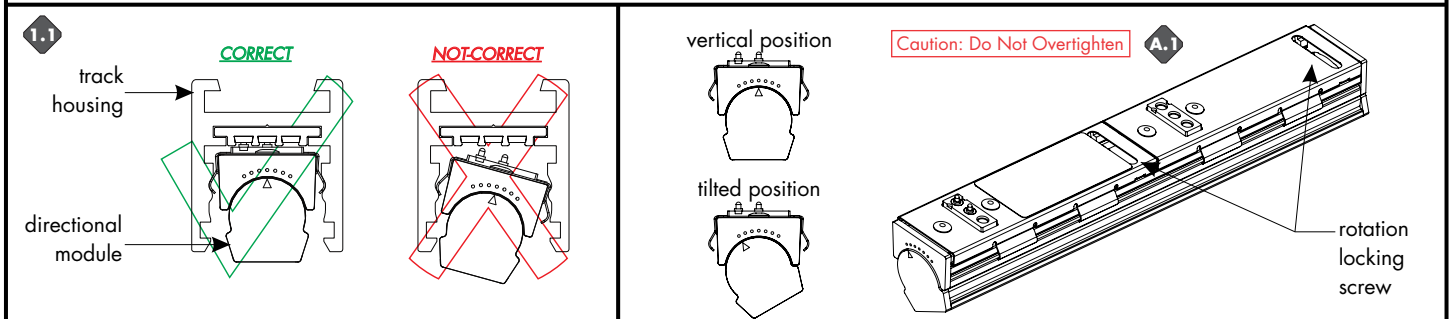
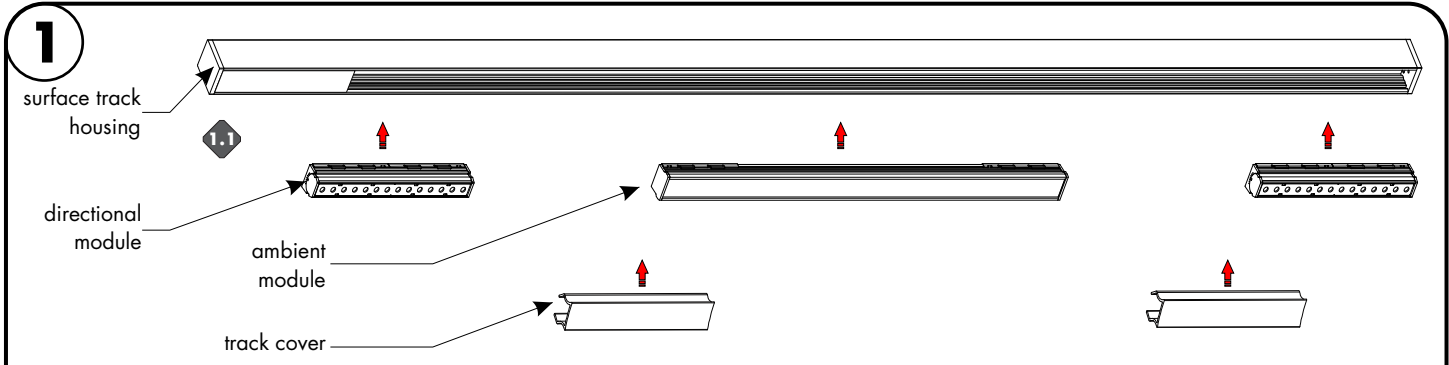


Please read all instructions prior to installation and keep for future reference!

1. PRODUCT TO BE INSTALLED BY A QUALIFIED ELECTRICIAN.
2. USE ONLY WITH CLASS 2 POWER UNIT
3. 24 VOLTS DC
4. SUITABLE FOR DRY LOCATIONS ONLY

Page 1 of 1

Module & Cover Installation



Note: Total wattage of installed modules must not exceed 96W, 4A Maximum per power feed.
Note: For additional information reference the complete track system installation instruction.

- 1.1 Carefully align then snap the ambient or directional module fixture into the surface/recessed track housing. *Be careful to ensure that the module bracket is inserted vertically into the Track Housing, reference above. If tiling directional module reference step A.1.*
- 1.2 Track Covers may be cut to length in the field & installed in between modules to create a closed aesthetic.
- 1.3 To remove Modules from Track Housing, use the provided plastic tool to pry out the modules from the ends.
- A.1 The directional modules can be aimed +/-30° by loosening the rotation locking screws and setting to the desired angle.

